

T5B01

C. 1,500 milliamperes

ARRL Tech Manual: Page 2-2

Ham Academy Lesson: 1A

Tech Class Questions valid thru 06-30-2018
Emergency Amateur Radio Club - www.earchi.org/education

T5A12

D. Frequency

ARRL Tech Manual: Page 2-1

Ham Academy Lesson: 1A

Tech Class Questions valid thru 06-30-2018
Emergency Amateur Radio Club - www.earchi.org/education

T5B03

C. One thousand volts

ARRL Tech Manual: Page 2-2

Ham Academy Lesson: 1A

Tech Class Questions valid thru 06-30-2018
Emergency Amateur Radio Club - www.earchi.org/education

T5B02

A. 1500 kHz

ARRL Tech Manual: Page 2-2

Ham Academy Lesson: 1A

Tech Class Questions valid thru 06-30-2018
Emergency Amateur Radio Club - www.earchi.org/education

T5B05

B. 0.5 watts

ARRL Tech Manual: Page 2-2

Ham Academy Lesson: 1A

Tech Class Questions valid thru 06-30-2018
Emergency Amateur Radio Club - www.earchi.org/education

T5B04

A. One one-millionth of a volt

ARRL Tech Manual: Page 2-2

Ham Academy Lesson: 1A

Tech Class Questions valid thru 06-30-2018
Emergency Amateur Radio Club - www.earchi.org/education

T5B07

C. 3525 kHz

ARRL Tech Manual: Page 2-2

Ham Academy Lesson: 1A

Tech Class Questions valid thru 06-30-2018
Emergency Amateur Radio Club - www.earchi.org/education

T5B06

C. 3 amperes

ARRL Tech Manual: Page 2-2

Ham Academy Lesson: 1A

Tech Class Questions valid thru 06-30-2018
Emergency Amateur Radio Club - www.earchi.org/education

T5B12

A. 28.400 MHz

ARRL Tech Manual: Page 2-2

Ham Academy Lesson: 1A

Tech Class Questions valid thru 06-30-2018
Emergency Amateur Radio Club - www.earchi.org/education

T5B08

B. 1 microfarad

ARRL Tech Manual: Page 2-2

Ham Academy Lesson: 1A

Tech Class Questions valid thru 06-30-2018
Emergency Amateur Radio Club - www.earchi.org/education

T5C05

A. Hertz

ARRL Tech Manual: Page 2-3

Ham Academy Lesson: 1A

Tech Class Questions valid thru 06-30-2018
Emergency Amateur Radio Club - www.earchi.org/education

T5B13

C. 2.425 GHz

ARRL Tech Manual: Page 2-2

Ham Academy Lesson: 1A

Tech Class Questions valid thru 06-30-2018
Emergency Amateur Radio Club - www.earchi.org/education

T3B08

B. 30 to 300 MHz

ARRL Tech Manual: Page 2-4

Ham Academy Lesson: 1A

Tech Class Questions valid thru 06-30-2018
Emergency Amateur Radio Club - www.earchi.org/education

T5C06

A. Radio frequency signals of all types

ARRL Tech Manual: Page 2-3

Ham Academy Lesson: 1A

Tech Class Questions valid thru 06-30-2018
Emergency Amateur Radio Club - www.earchi.org/education

T3B10

C. 3 to 30 MHz

ARRL Tech Manual: Page 2-4

Ham Academy Lesson: 1A

Tech Class Questions valid thru 06-30-2018
Emergency Amateur Radio Club - www.earchi.org/education

T3B09

D. 300 to 3000 MHz

ARRL Tech Manual: Page 2-4

Ham Academy Lesson: 1A

Tech Class Questions valid thru 06-30-2018
Emergency Amateur Radio Club - www.earchi.org/education

T3B04

A. At the speed of light

ARRL Tech Manual: Page 2-5

Ham Academy Lesson: 1A

Tech Class Questions valid thru 06-30-2018
Emergency Amateur Radio Club - www.earchi.org/education

T3B01

C. Wavelength

ARRL Tech Manual: Page 2-5

Ham Academy Lesson: 1A

Tech Class Questions valid thru 06-30-2018
Emergency Amateur Radio Club - www.earchi.org/education

T3B07

A. The approximate wavelength

ARRL Tech Manual: Page 2-5

Ham Academy Lesson: 1A

Tech Class Questions valid thru 06-30-2018
Emergency Amateur Radio Club - www.earchi.org/education

T3B05

B. The wavelength gets shorter as the frequency increases

ARRL Tech Manual: Page 2-5

Ham Academy Lesson: 1A

Tech Class Questions valid thru 06-30-2018
Emergency Amateur Radio Club - www.earchi.org/education

T3B06

D. Wavelength in meters equals 300 divided by frequency in megahertz

ARRL Tech Manual: Page 2-6

Ham Academy Lesson: 1A

Tech Class Questions valid thru 06-30-2018
Emergency Amateur Radio Club - www.earchi.org/education

T3B11

B. 300,000,000 meters per second

ARRL Tech Manual: Page 2-5

Ham Academy Lesson: 1A

Tech Class Questions valid thru 06-30-2018
Emergency Amateur Radio Club - www.earchi.org/education

T2B07

A. Microphone gain too high, causing over-deviation

ARRL Tech Manual: Page 2-9

Ham Academy Lesson: 1B

Tech Class Questions valid thru 06-30-2018
Emergency Amateur Radio Club - www.earchi.org/education

T2B06

A. Its signal occupies more bandwidth

ARRL Tech Manual: Page 2-9

Ham Academy Lesson: 1B

Tech Class Questions valid thru 06-30-2018
Emergency Amateur Radio Club - www.earchi.org/education

T1B09

D. All of these choices are correct

ARRL Tech Manual: Page 2-10

Ham Academy Lesson: 1B

Tech Class Questions valid thru 06-30-2018
Emergency Amateur Radio Club - www.earchi.org/education

T8A01

C. Single sideband

ARRL Tech Manual: Page 2-9

Ham Academy Lesson: 1B

Tech Class Questions valid thru 06-30-2018
Emergency Amateur Radio Club - www.earchi.org/education

T8A02

A. FM

ARRL Tech Manual: Page 2-10

Ham Academy Lesson: 1B

Tech Class Questions valid thru 06-30-2018
Emergency Amateur Radio Club - www.earchi.org/education

T2B05

C. The amplitude of the modulating signal

ARRL Tech Manual: Page 2-10

Ham Academy Lesson: 1B

Tech Class Questions valid thru 06-30-2018
Emergency Amateur Radio Club - www.earchi.org/education

T8A05

C. CW

ARRL Tech Manual: Page 2-10

Ham Academy Lesson: 1B

Tech Class Questions valid thru 06-30-2018
Emergency Amateur Radio Club - www.earchi.org/education

T8A04

D. FM

ARRL Tech Manual: Page 2-10

Ham Academy Lesson: 1B

Tech Class Questions valid thru 06-30-2018
Emergency Amateur Radio Club - www.earchi.org/education

T8A09

C. Between 10 and 15 kHz

ARRL Tech Manual: Page 2-10

Ham Academy Lesson: 1B

Tech Class Questions valid thru 06-30-2018
Emergency Amateur Radio Club - www.earchi.org/education

T8A08

B. 3 kHz

ARRL Tech Manual: Page 2-10

Ham Academy Lesson: 1B

Tech Class Questions valid thru 06-30-2018
Emergency Amateur Radio Club - www.earchi.org/education

T8A11

B. 150 Hz

ARRL Tech Manual: Page 2-10

Ham Academy Lesson: 1B

Tech Class Questions valid thru 06-30-2018
Emergency Amateur Radio Club - www.earchi.org/education

T8A10

B. About 6 MHz

ARRL Tech Manual: Page 2-10

Ham Academy Lesson: 1B

Tech Class Questions valid thru 06-30-2018
Emergency Amateur Radio Club - www.earchi.org/education

T8A06

A. Upper sideband

ARRL Tech Manual: Page 2-11

Ham Academy Lesson: 1B

Tech Class Questions valid thru 06-30-2018
Emergency Amateur Radio Club - www.earchi.org/education

T8A03

C. SSB

ARRL Tech Manual: Page 2-11

Ham Academy Lesson: 1B

Tech Class Questions valid thru 06-30-2018
Emergency Amateur Radio Club - www.earchi.org/education

T1F09

C. Repeater station

ARRL Tech Manual: Page 2-12

Ham Academy Lesson: 1B

Tech Class Questions valid thru 06-30-2018
Emergency Amateur Radio Club - www.earchi.org/education

T8A07

C. SSB signals have narrower bandwidth

ARRL Tech Manual: Page 2-11

Ham Academy Lesson: 1B

Tech Class Questions valid thru 06-30-2018
Emergency Amateur Radio Club - www.earchi.org/education

T5A01

D. Amperes

ARRL Tech Manual: Page 3-1

Ham Academy Lesson: 2A

Tech Class Questions valid thru 06-30-2018
Emergency Amateur Radio Club - www.earchi.org/education

T7A02

B. A unit combining the functions of a transmitter and a receiver

ARRL Tech Manual: Page 2-12

Ham Academy Lesson: 1B

Tech Class Questions valid thru 06-30-2018
Emergency Amateur Radio Club - www.earchi.org/education

T5A05

A. Voltage

ARRL Tech Manual: Page 3-1

Ham Academy Lesson: 2A

Tech Class Questions valid thru 06-30-2018
Emergency Amateur Radio Club - www.earchi.org/education

T5A03

D. Current

ARRL Tech Manual: Page 3-1

Ham Academy Lesson: 2A

Tech Class Questions valid thru 06-30-2018
Emergency Amateur Radio Club - www.earchi.org/education

T7D01

B. A voltmeter

ARRL Tech Manual: Page 3-1

Ham Academy Lesson: 2A

Tech Class Questions valid thru 06-30-2018
Emergency Amateur Radio Club - www.earchi.org/education

T5A11

A. The volt

ARRL Tech Manual: Page 3-1

Ham Academy Lesson: 2A

Tech Class Questions valid thru 06-30-2018
Emergency Amateur Radio Club - www.earchi.org/education

T7D02

B. In parallel with the circuit

ARRL Tech Manual: Page 3-3

Ham Academy Lesson: 2A

Tech Class Questions valid thru 06-30-2018
Emergency Amateur Radio Club - www.earchi.org/education

T7D04

D. An ammeter

ARRL Tech Manual: Page 3-1

Ham Academy Lesson: 2A

Tech Class Questions valid thru 06-30-2018
Emergency Amateur Radio Club - www.earchi.org/education

T7D06

C. Attempting to measure voltage when using the resistance setting

ARRL Tech Manual: Page 3-3

Ham Academy Lesson: 2A

Tech Class Questions valid thru 06-30-2018
Emergency Amateur Radio Club - www.earchi.org/education

T7D03

A. In series with the circuit

ARRL Tech Manual: Page 3-3

Ham Academy Lesson: 2A

Tech Class Questions valid thru 06-30-2018
Emergency Amateur Radio Club - www.earchi.org/education

T7D10

B. The circuit contains a large capacitor

ARRL Tech Manual: Page 3-3

Ham Academy Lesson: 2A

Tech Class Questions valid thru 06-30-2018
Emergency Amateur Radio Club - www.earchi.org/education

T7D07

D. Voltage and resistance

ARRL Tech Manual: Page 3-3

Ham Academy Lesson: 2A

Tech Class Questions valid thru 06-30-2018
Emergency Amateur Radio Club - www.earchi.org/education

T7D12

B. Ensure that the voltmeter and leads are rated for use at the voltages to be measured

ARRL Tech Manual: Page 3-3

Ham Academy Lesson: 2A

Tech Class Questions valid thru 06-30-2018
Emergency Amateur Radio Club - www.earchi.org/education

T7D11

B. Ensure that the circuit is not powered

ARRL Tech Manual: Page 3-3

Ham Academy Lesson: 2A

Tech Class Questions valid thru 06-30-2018
Emergency Amateur Radio Club - www.earchi.org/education

T5A08

B. Glass

ARRL Tech Manual: Page 3-4

Ham Academy Lesson: 2A

Tech Class Questions valid thru 06-30-2018
Emergency Amateur Radio Club - www.earchi.org/education

T5A07

C. Copper

ARRL Tech Manual: Page 3-4

Ham Academy Lesson: 2A

Tech Class Questions valid thru 06-30-2018
Emergency Amateur Radio Club - www.earchi.org/education

T5D02

A. Voltage (E) equals current (I) multiplied by resistance (R)

ARRL Tech Manual: Page 3-4

Ham Academy Lesson: 2A

Tech Class Questions valid thru 06-30-2018
Emergency Amateur Radio Club - www.earchi.org/education

T5D01

B. Current (I) equals voltage (E) divided by resistance (R)

ARRL Tech Manual: Page 3-4

Ham Academy Lesson: 2A

Tech Class Questions valid thru 06-30-2018
Emergency Amateur Radio Club - www.earchi.org/education

T7D05

D. An ohmmeter

ARRL Tech Manual: Page 3-4

Ham Academy Lesson: 2A

Tech Class Questions valid thru 06-30-2018
Emergency Amateur Radio Club - www.earchi.org/education

T5D03

B. Resistance (R) equals voltage (E) divided by current (I)

ARRL Tech Manual: Page 3-4

Ham Academy Lesson: 2A

Tech Class Questions valid thru 06-30-2018
Emergency Amateur Radio Club - www.earchi.org/education

T5D05

C. 8 ohms

ARRL Tech Manual: Page 3-5

Ham Academy Lesson: 2A

Tech Class Questions valid thru 06-30-2018
Emergency Amateur Radio Club - www.earchi.org/education

T5D04

B. 30 ohms

ARRL Tech Manual: Page 3-5

Ham Academy Lesson: 2A

Tech Class Questions valid thru 06-30-2018
Emergency Amateur Radio Club - www.earchi.org/education

T5D07

D. 1.5 amperes

ARRL Tech Manual: Page 3-5

Ham Academy Lesson: 2A

Tech Class Questions valid thru 06-30-2018
Emergency Amateur Radio Club - www.earchi.org/education

T5D06

A. 3 ohms

ARRL Tech Manual: Page 3-5

Ham Academy Lesson: 2A

Tech Class Questions valid thru 06-30-2018
Emergency Amateur Radio Club - www.earchi.org/education

T5D09

C. 10 amperes

ARRL Tech Manual: Page 3-5

Ham Academy Lesson: 2A

Tech Class Questions valid thru 06-30-2018
Emergency Amateur Radio Club - www.earchi.org/education

T5D08

C. 2 amperes

ARRL Tech Manual: Page 3-5

Ham Academy Lesson: 2A

Tech Class Questions valid thru 06-30-2018
Emergency Amateur Radio Club - www.earchi.org/education

T5D11

B. 10 volts

ARRL Tech Manual: Page 3-5

Ham Academy Lesson: 2A

Tech Class Questions valid thru 06-30-2018
Emergency Amateur Radio Club - www.earchi.org/education

T5D10

A. 1 volt

ARRL Tech Manual: Page 3-5

Ham Academy Lesson: 2A

Tech Class Questions valid thru 06-30-2018
Emergency Amateur Radio Club - www.earchi.org/education

T5A02

B. Watts

ARRL Tech Manual: Page 3-5

Ham Academy Lesson: 2B

Tech Class Questions valid thru 06-30-2018
Emergency Amateur Radio Club - www.earchi.org/education

T5D12

D. 20 volts

ARRL Tech Manual: Page 3-5

Ham Academy Lesson: 2A

Tech Class Questions valid thru 06-30-2018
Emergency Amateur Radio Club - www.earchi.org/education

T5C08

A. Power (P) equals voltage (E) multiplied by current (I)

ARRL Tech Manual: Page 3-5

Ham Academy Lesson: 2B

Tech Class Questions valid thru 06-30-2018
Emergency Amateur Radio Club - www.earchi.org/education

T5A10

C. Power

ARRL Tech Manual: Page 3-5

Ham Academy Lesson: 2B

Tech Class Questions valid thru 06-30-2018
Emergency Amateur Radio Club - www.earchi.org/education

T5C10

B. 30 watts

ARRL Tech Manual: Page 3-5

Ham Academy Lesson: 2B

Tech Class Questions valid thru 06-30-2018
Emergency Amateur Radio Club - www.earchi.org/education

T5C09

A. 138 watts

ARRL Tech Manual: Page 3-5

Ham Academy Lesson: 2B

Tech Class Questions valid thru 06-30-2018
Emergency Amateur Radio Club - www.earchi.org/education

T5A04

B. Direct current

ARRL Tech Manual: Page 3-6

Ham Academy Lesson: 2B

Tech Class Questions valid thru 06-30-2018
Emergency Amateur Radio Club - www.earchi.org/education

T5C11

B. 10 amperes

ARRL Tech Manual: Page 3-5

Ham Academy Lesson: 2B

Tech Class Questions valid thru 06-30-2018
Emergency Amateur Radio Club - www.earchi.org/education

T5C01

D. Capacitance

ARRL Tech Manual: Page 3-7

Ham Academy Lesson: 2B

Tech Class Questions valid thru 06-30-2018
Emergency Amateur Radio Club - www.earchi.org/education

T5A09

A. Alternating current

ARRL Tech Manual: Page 3-6

Ham Academy Lesson: 2B

Tech Class Questions valid thru 06-30-2018
Emergency Amateur Radio Club - www.earchi.org/education

T5C03

D. Inductance

ARRL Tech Manual: Page 3-7

Ham Academy Lesson: 2B

Tech Class Questions valid thru 06-30-2018
Emergency Amateur Radio Club - www.earchi.org/education

T5C02

A. The farad

ARRL Tech Manual: Page 3-7

Ham Academy Lesson: 2B

Tech Class Questions valid thru 06-30-2018
Emergency Amateur Radio Club - www.earchi.org/education

T6A01

B. Resistor

ARRL Tech Manual: Page 3-7

Ham Academy Lesson: 2B

Tech Class Questions valid thru 06-30-2018
Emergency Amateur Radio Club - www.earchi.org/education

T5C04

C. The henry

ARRL Tech Manual: Page 3-7

Ham Academy Lesson: 2B

Tech Class Questions valid thru 06-30-2018
Emergency Amateur Radio Club - www.earchi.org/education

T6A05

D. Capacitor

ARRL Tech Manual: Page 3-7

Ham Academy Lesson: 2B

Tech Class Questions valid thru 06-30-2018
Emergency Amateur Radio Club - www.earchi.org/education

T6A04

B. Capacitor

ARRL Tech Manual: Page 3-7

Ham Academy Lesson: 2B

Tech Class Questions valid thru 06-30-2018
Emergency Amateur Radio Club - www.earchi.org/education

T6A07

D. Inductor

ARRL Tech Manual: Page 3-7

Ham Academy Lesson: 2B

Tech Class Questions valid thru 06-30-2018
Emergency Amateur Radio Club - www.earchi.org/education

T6A06

C. Inductor

ARRL Tech Manual: Page 3-7

Ham Academy Lesson: 2B

Tech Class Questions valid thru 06-30-2018
Emergency Amateur Radio Club - www.earchi.org/education

T5C13

D. Ohms

ARRL Tech Manual: Page 3-9

Ham Academy Lesson: 2B

Tech Class Questions valid thru 06-30-2018
Emergency Amateur Radio Club - www.earchi.org/education

T5C12

A. It is a measure of the opposition to AC current flow in a circuit

ARRL Tech Manual: Page 3-9

Ham Academy Lesson: 2B

Tech Class Questions valid thru 06-30-2018
Emergency Amateur Radio Club - www.earchi.org/education

T6A03

B. Resistance

ARRL Tech Manual: Page 3-9

Ham Academy Lesson: 2B

Tech Class Questions valid thru 06-30-2018
Emergency Amateur Radio Club - www.earchi.org/education

T6A02

C. Potentiometer

ARRL Tech Manual: Page 3-9

Ham Academy Lesson: 2B

Tech Class Questions valid thru 06-30-2018
Emergency Amateur Radio Club - www.earchi.org/education

T6D08

D. Capacitor

ARRL Tech Manual: Page 3-9

Ham Academy Lesson: 2C

Tech Class Questions valid thru 06-30-2018
Emergency Amateur Radio Club - www.earchi.org/education

T6D06

B. Transformer

ARRL Tech Manual: Page 3-9

Ham Academy Lesson: 2B

Tech Class Questions valid thru 06-30-2018
Emergency Amateur Radio Club - www.earchi.org/education

T6B02

C. Diode

ARRL Tech Manual: Page 3-10

Ham Academy Lesson: 2C

Tech Class Questions valid thru 06-30-2018
Emergency Amateur Radio Club - www.earchi.org/education

T6D11

A. An inductor and a capacitor connected in series or parallel to form a filter

ARRL Tech Manual: Page 3-9

Ham Academy Lesson: 2C

Tech Class Questions valid thru 06-30-2018
Emergency Amateur Radio Club - www.earchi.org/education

T6B07

B. Light Emitting Diode

ARRL Tech Manual: Page 3-10

Ham Academy Lesson: 2C

Tech Class Questions valid thru 06-30-2018
Emergency Amateur Radio Club - www.earchi.org/education

T6B06

B. With a stripe

ARRL Tech Manual: Page 3-10

Ham Academy Lesson: 2C

Tech Class Questions valid thru 06-30-2018
Emergency Amateur Radio Club - www.earchi.org/education

T6D01

B. Rectifier

ARRL Tech Manual: Page 3-10

Ham Academy Lesson: 2C

Tech Class Questions valid thru 06-30-2018
Emergency Amateur Radio Club - www.earchi.org/education

T6B09

C. Anode and cathode

ARRL Tech Manual: Page 3-10

Ham Academy Lesson: 2C

Tech Class Questions valid thru 06-30-2018
Emergency Amateur Radio Club - www.earchi.org/education

T6B03

C. Transistor

ARRL Tech Manual: Page 3-11

Ham Academy Lesson: 2C

Tech Class Questions valid thru 06-30-2018
Emergency Amateur Radio Club - www.earchi.org/education

T6B01

D. Transistors

ARRL Tech Manual: Page 3-11

Ham Academy Lesson: 2C

Tech Class Questions valid thru 06-30-2018
Emergency Amateur Radio Club - www.earchi.org/education

T6B05

A. Transistor

ARRL Tech Manual: Page 3-11

Ham Academy Lesson: 2C

Tech Class Questions valid thru 06-30-2018
Emergency Amateur Radio Club - www.earchi.org/education

T6B04

B. Transistor

ARRL Tech Manual: Page 3-11

Ham Academy Lesson: 2C

Tech Class Questions valid thru 06-30-2018
Emergency Amateur Radio Club - www.earchi.org/education

T6B10

A. Emitter, base, and collector

ARRL Tech Manual: Page 3-11

Ham Academy Lesson: 2C

Tech Class Questions valid thru 06-30-2018
Emergency Amateur Radio Club - www.earchi.org/education

T6B08

A. Field Effect Transistor

ARRL Tech Manual: Page 3-11

Ham Academy Lesson: 2C

Tech Class Questions valid thru 06-30-2018
Emergency Amateur Radio Club - www.earchi.org/education

T6B12

A. Gain

ARRL Tech Manual: Page 3-11

Ham Academy Lesson: 2C

Tech Class Questions valid thru 06-30-2018
Emergency Amateur Radio Club - www.earchi.org/education

T6B11

B. Source, gate, and drain

ARRL Tech Manual: Page 3-11

Ham Academy Lesson: 2C

Tech Class Questions valid thru 06-30-2018
Emergency Amateur Radio Club - www.earchi.org/education

T6D09

C. Integrated circuit

ARRL Tech Manual: Page 3-11

Ham Academy Lesson: 2C

Tech Class Questions valid thru 06-30-2018
Emergency Amateur Radio Club - www.earchi.org/education

T6D07

A. LED

ARRL Tech Manual: Page 3-11

Ham Academy Lesson: 2C

Tech Class Questions valid thru 06-30-2018
Emergency Amateur Radio Club - www.earchi.org/education

T0A04

B. To interrupt power in case of overload

ARRL Tech Manual: Page 3-12

Ham Academy Lesson: 2D

Tech Class Questions valid thru 06-30-2018
Emergency Amateur Radio Club - www.earchi.org/education

T6D10

C. Control the flow of current

ARRL Tech Manual: Page 3-11

Ham Academy Lesson: 2C

Tech Class Questions valid thru 06-30-2018
Emergency Amateur Radio Club - www.earchi.org/education

T6A08

B. Switch

ARRL Tech Manual: Page 3-12

Ham Academy Lesson: 2D

Tech Class Questions valid thru 06-30-2018
Emergency Amateur Radio Club - www.earchi.org/education

T0A05

C. Excessive current could cause a fire

ARRL Tech Manual: Page 3-12

Ham Academy Lesson: 2D

Tech Class Questions valid thru 06-30-2018
Emergency Amateur Radio Club - www.earchi.org/education

T6D02

A. A switch controlled by an electromagnet

ARRL Tech Manual: Page 3-12

Ham Academy Lesson: 2D

Tech Class Questions valid thru 06-30-2018
Emergency Amateur Radio Club - www.earchi.org/education

T6A09

A. Fuse

ARRL Tech Manual: Page 3-12

Ham Academy Lesson: 2D

Tech Class Questions valid thru 06-30-2018
Emergency Amateur Radio Club - www.earchi.org/education

T6C02

A. Resistor

ARRL Tech Manual: Page 3-13

Ham Academy Lesson: 2D

Tech Class Questions valid thru 06-30-2018
Emergency Amateur Radio Club - www.earchi.org/education

T6C01

C. Schematic symbols

ARRL Tech Manual: Page 3-13

Ham Academy Lesson: 2D

Tech Class Questions valid thru 06-30-2018
Emergency Amateur Radio Club - www.earchi.org/education

T6C04

C. Lamp

ARRL Tech Manual: Page 3-13

Ham Academy Lesson: 2D

Tech Class Questions valid thru 06-30-2018
Emergency Amateur Radio Club - www.earchi.org/education

T6C03

B. Transistor

ARRL Tech Manual: Page 3-13

Ham Academy Lesson: 2D

Tech Class Questions valid thru 06-30-2018
Emergency Amateur Radio Club - www.earchi.org/education

T6C06

B. Capacitor

ARRL Tech Manual: Page 3-13

Ham Academy Lesson: 2D

Tech Class Questions valid thru 06-30-2018
Emergency Amateur Radio Club - www.earchi.org/education

T6C05

C. Battery

ARRL Tech Manual: Page 3-13

Ham Academy Lesson: 2D

Tech Class Questions valid thru 06-30-2018
Emergency Amateur Radio Club - www.earchi.org/education

T6C08

C. Variable resistor

ARRL Tech Manual: Page 3-13

Ham Academy Lesson: 2D

Tech Class Questions valid thru 06-30-2018
Emergency Amateur Radio Club - www.earchi.org/education

T6C07

D. Light emitting diode

ARRL Tech Manual: Page 3-13

Ham Academy Lesson: 2D

Tech Class Questions valid thru 06-30-2018
Emergency Amateur Radio Club - www.earchi.org/education

T6C10

D. Variable inductor

ARRL Tech Manual: Page 3-13

Ham Academy Lesson: 2D

Tech Class Questions valid thru 06-30-2018
Emergency Amateur Radio Club - www.earchi.org/education

T6C09

D. Transformer

ARRL Tech Manual: Page 3-13

Ham Academy Lesson: 2D

Tech Class Questions valid thru 06-30-2018
Emergency Amateur Radio Club - www.earchi.org/education

T6C12

A. Electrical components

ARRL Tech Manual: Page 3-13

Ham Academy Lesson: 2D

Tech Class Questions valid thru 06-30-2018
Emergency Amateur Radio Club - www.earchi.org/education

T6C11

A. Antenna

ARRL Tech Manual: Page 3-13

Ham Academy Lesson: 2D

Tech Class Questions valid thru 06-30-2018
Emergency Amateur Radio Club - www.earchi.org/education

T6D04

C. Meter

ARRL Tech Manual: Page 3-13

Ham Academy Lesson: 2D

Tech Class Questions valid thru 06-30-2018
Emergency Amateur Radio Club - www.earchi.org/education

T6D03

A. Single-pole single-throw

ARRL Tech Manual: Page 3-13

Ham Academy Lesson: 2D

Tech Class Questions valid thru 06-30-2018
Emergency Amateur Radio Club - www.earchi.org/education

T7A05

D. Oscillator

ARRL Tech Manual: Page 3-16

Ham Academy Lesson: 2D

Tech Class Questions valid thru 06-30-2018
Emergency Amateur Radio Club - www.earchi.org/education

T6C13

C. The way components are interconnected

ARRL Tech Manual: Page 3-14

Ham Academy Lesson: 2D

Tech Class Questions valid thru 06-30-2018
Emergency Amateur Radio Club - www.earchi.org/education

T7A01

B. Sensitivity

ARRL Tech Manual: Page 3-18

Ham Academy Lesson: 2D

Tech Class Questions valid thru 06-30-2018
Emergency Amateur Radio Club - www.earchi.org/education

T7A08

C. Modulation

ARRL Tech Manual: Page 3-17

Ham Academy Lesson: 2D

Tech Class Questions valid thru 06-30-2018
Emergency Amateur Radio Club - www.earchi.org/education

T7A04

C. Selectivity

ARRL Tech Manual: Page 3-18

Ham Academy Lesson: 2D

Tech Class Questions valid thru 06-30-2018
Emergency Amateur Radio Club - www.earchi.org/education

T7A03

B. Mixer

ARRL Tech Manual: Page 3-18

Ham Academy Lesson: 2D

Tech Class Questions valid thru 06-30-2018
Emergency Amateur Radio Club - www.earchi.org/education

T7A06

C. Transverter

ARRL Tech Manual: Page 3-19

Ham Academy Lesson: 2D

Tech Class Questions valid thru 06-30-2018
Emergency Amateur Radio Club - www.earchi.org/education

T7A11

A. Between the antenna and receiver

ARRL Tech Manual: Page 3-18

Ham Academy Lesson: 2D

Tech Class Questions valid thru 06-30-2018
Emergency Amateur Radio Club - www.earchi.org/education

T3C10

A. The distance over which two stations can communicate by direct path

ARRL Tech Manual: Page 4-1

Ham Academy Lesson: 3A

Tech Class Questions valid thru 06-30-2018
Emergency Amateur Radio Club - www.earchi.org/education

T3C05

A. Knife-edge diffraction

ARRL Tech Manual: Page 4-1

Ham Academy Lesson: 3A

Tech Class Questions valid thru 06-30-2018
Emergency Amateur Radio Club - www.earchi.org/education

T3A01

D. Try moving a few feet or changing the direction of your antenna if possible, as reflections may be causing multi-path distortion

ARRL Tech Manual: Page 4-2

Ham Academy Lesson: 3A

Tech Class Questions valid thru 06-30-2018
Emergency Amateur Radio Club - www.earchi.org/education

T3C11

C. The Earth seems less curved to radio waves than to light

ARRL Tech Manual: Page 4-1

Ham Academy Lesson: 3A

Tech Class Questions valid thru 06-30-2018
Emergency Amateur Radio Club - www.earchi.org/education

T3A06

B. Picket fencing

ARRL Tech Manual: Page 4-2

Ham Academy Lesson: 3A

Tech Class Questions valid thru 06-30-2018
Emergency Amateur Radio Club - www.earchi.org/education

T3A02

B. The shorter wavelength allows them to more easily penetrate the structure of buildings

ARRL Tech Manual: Page 4-2

Ham Academy Lesson: 3A

Tech Class Questions valid thru 06-30-2018
Emergency Amateur Radio Club - www.earchi.org/education

T3A10

D. Error rates are likely to increase

ARRL Tech Manual: Page 4-2

Ham Academy Lesson: 3A

Tech Class Questions valid thru 06-30-2018
Emergency Amateur Radio Club - www.earchi.org/education

T3A08

C. Random combining of signals arriving via different paths

ARRL Tech Manual: Page 4-2

Ham Academy Lesson: 3A

Tech Class Questions valid thru 06-30-2018
Emergency Amateur Radio Club - www.earchi.org/education

T3C08

D. Temperature inversions in the atmosphere

ARRL Tech Manual: Page 4-2

Ham Academy Lesson: 3A

Tech Class Questions valid thru 06-30-2018
Emergency Amateur Radio Club - www.earchi.org/education

T3C06

A. Tropospheric scatter

ARRL Tech Manual: Page 4-2

Ham Academy Lesson: 3A

Tech Class Questions valid thru 06-30-2018
Emergency Amateur Radio Club - www.earchi.org/education

T3C01

C. UHF signals are usually not reflected by the ionosphere

ARRL Tech Manual: Page 4-3

Ham Academy Lesson: 3A

Tech Class Questions valid thru 06-30-2018
Emergency Amateur Radio Club - www.earchi.org/education

T3A11

C. The ionosphere

ARRL Tech Manual: Page 4-3

Ham Academy Lesson: 3A

Tech Class Questions valid thru 06-30-2018
Emergency Amateur Radio Club - www.earchi.org/education

T3C03

B. The signals exhibit rapid fluctuations of strength and often sound distorted

ARRL Tech Manual: Page 4-4

Ham Academy Lesson: 3A

Tech Class Questions valid thru 06-30-2018
Emergency Amateur Radio Club - www.earchi.org/education

T3C02

D. Signals are being refracted from a sporadic E layer

ARRL Tech Manual: Page 4-4

Ham Academy Lesson: 3A

Tech Class Questions valid thru 06-30-2018
Emergency Amateur Radio Club - www.earchi.org/education

T3C09

A. From dawn to shortly after sunset during periods of high sunspot activity

ARRL Tech Manual: Page 4-4

Ham Academy Lesson: 3A

Tech Class Questions valid thru 06-30-2018
Emergency Amateur Radio Club - www.earchi.org/education

T3C04

B. Sporadic E

ARRL Tech Manual: Page 4-4

Ham Academy Lesson: 3A

Tech Class Questions valid thru 06-30-2018
Emergency Amateur Radio Club - www.earchi.org/education

T3C07

B. 6 meters

ARRL Tech Manual: Page 4-5

Ham Academy Lesson: 3A

Tech Class Questions valid thru 06-30-2018
Emergency Amateur Radio Club - www.earchi.org/education

T3C12

A. Six or ten meters

ARRL Tech Manual: Page 4-4

Ham Academy Lesson: 3A

Tech Class Questions valid thru 06-30-2018
Emergency Amateur Radio Club - www.earchi.org/education

T3A07

A. Electromagnetic

ARRL Tech Manual: Page 4-6

Ham Academy Lesson: 3B

Tech Class Questions valid thru 06-30-2018
Emergency Amateur Radio Club - www.earchi.org/education

T3A04

B. Signals could be significantly weaker

ARRL Tech Manual: Page 4-6

Ham Academy Lesson: 3B

Tech Class Questions valid thru 06-30-2018
Emergency Amateur Radio Club - www.earchi.org/education

T3B02

A. The orientation of the electric field

ARRL Tech Manual: Page 4-6

Ham Academy Lesson: 3B

Tech Class Questions valid thru 06-30-2018
Emergency Amateur Radio Club - www.earchi.org/education

T3A09

B. Either vertically or horizontally polarized antennas may be used for transmission or reception

ARRL Tech Manual: Page 4-6

Ham Academy Lesson: 3B

Tech Class Questions valid thru 06-30-2018
Emergency Amateur Radio Club - www.earchi.org/education

T5C07

C. Radio waves

ARRL Tech Manual: Page 4-6

Ham Academy Lesson: 3B

Tech Class Questions valid thru 06-30-2018
Emergency Amateur Radio Club - www.earchi.org/education

T3B03

C. Electric and magnetic fields

ARRL Tech Manual: Page 4-6

Ham Academy Lesson: 3B

Tech Class Questions valid thru 06-30-2018
Emergency Amateur Radio Club - www.earchi.org/education

T9A11

C. The increase in signal strength in a specified direction when compared to a reference antenna

ARRL Tech Manual: Page 4-6

Ham Academy Lesson: 3B

Tech Class Questions valid thru 06-30-2018
Emergency Amateur Radio Club - www.earchi.org/education

T9A02

B. The electric field is perpendicular to the Earth

ARRL Tech Manual: Page 4-6

Ham Academy Lesson: 3B

Tech Class Questions valid thru 06-30-2018
Emergency Amateur Radio Club - www.earchi.org/education

T5B10

C. -6 dB

ARRL Tech Manual: Page 4-7

Ham Academy Lesson: 3B

Tech Class Questions valid thru 06-30-2018
Emergency Amateur Radio Club - www.earchi.org/education

T5B09

B. 3 dB

ARRL Tech Manual: Page 4-7

Ham Academy Lesson: 3B

Tech Class Questions valid thru 06-30-2018
Emergency Amateur Radio Club - www.earchi.org/education

T7C07

C. It is converted into heat

ARRL Tech Manual: Page 4-8

Ham Academy Lesson: 3B

Tech Class Questions valid thru 06-30-2018
Emergency Amateur Radio Club - www.earchi.org/education

T5B11

A. 10 dB

ARRL Tech Manual: Page 4-7

Ham Academy Lesson: 3B

Tech Class Questions valid thru 06-30-2018
Emergency Amateur Radio Club - www.earchi.org/education

T7C12

B. Carrying RF signals between a radio and antenna

ARRL Tech Manual: Page 4-9

Ham Academy Lesson: 3B

Tech Class Questions valid thru 06-30-2018
Emergency Amateur Radio Club - www.earchi.org/education

T9B05

D. The loss increases

ARRL Tech Manual: Page 4-8

Ham Academy Lesson: 3B

Tech Class Questions valid thru 06-30-2018
Emergency Amateur Radio Club - www.earchi.org/education

T9B03

A. It is easy to use and requires few special installation considerations

ARRL Tech Manual: Page 4-9

Ham Academy Lesson: 3B

Tech Class Questions valid thru 06-30-2018
Emergency Amateur Radio Club - www.earchi.org/education

T9B02

B. 50 ohms

ARRL Tech Manual: Page 4-9

Ham Academy Lesson: 3B

Tech Class Questions valid thru 06-30-2018
Emergency Amateur Radio Club - www.earchi.org/education

T7C03

A. A measure of how well a load is matched to a transmission line

ARRL Tech Manual: Page 4-10

Ham Academy Lesson: 3B

Tech Class Questions valid thru 06-30-2018
Emergency Amateur Radio Club - www.earchi.org/education

T9B11

C. Air-insulated hard line

ARRL Tech Manual: Page 4-9

Ham Academy Lesson: 3B

Tech Class Questions valid thru 06-30-2018
Emergency Amateur Radio Club - www.earchi.org/education

T7C05

A. 2 to 1

ARRL Tech Manual: Page 4-10

Ham Academy Lesson: 3B

Tech Class Questions valid thru 06-30-2018
Emergency Amateur Radio Club - www.earchi.org/education

T7C04

C. 1 to 1

ARRL Tech Manual: Page 4-10

Ham Academy Lesson: 3B

Tech Class Questions valid thru 06-30-2018
Emergency Amateur Radio Club - www.earchi.org/education

T9B01

B. To allow the efficient transfer of power and reduce losses

ARRL Tech Manual: Page 4-10

Ham Academy Lesson: 3B

Tech Class Questions valid thru 06-30-2018
Emergency Amateur Radio Club - www.earchi.org/education

T7C06

D. Impedance mismatch

ARRL Tech Manual: Page 4-10

Ham Academy Lesson: 3B

Tech Class Questions valid thru 06-30-2018
Emergency Amateur Radio Club - www.earchi.org/education

T9A03

B. A horizontally polarized antenna

ARRL Tech Manual: Page 4-11

Ham Academy Lesson: 3C

Tech Class Questions valid thru 06-30-2018
Emergency Amateur Radio Club - www.earchi.org/education

T9B09

B. A loose connection in an antenna or a feed line

ARRL Tech Manual: Page 4-10

Ham Academy Lesson: 3B

Tech Class Questions valid thru 06-30-2018
Emergency Amateur Radio Club - www.earchi.org/education

T9A09

C. 112

ARRL Tech Manual: Page 4-11

Ham Academy Lesson: 3C

Tech Class Questions valid thru 06-30-2018
Emergency Amateur Radio Club - www.earchi.org/education

T9A08

C. 19

ARRL Tech Manual: Page 4-11

Ham Academy Lesson: 3C

Tech Class Questions valid thru 06-30-2018
Emergency Amateur Radio Club - www.earchi.org/education

T9A05

C. Shorten it

ARRL Tech Manual: Page 4-12

Ham Academy Lesson: 3C

Tech Class Questions valid thru 06-30-2018
Emergency Amateur Radio Club - www.earchi.org/education

T9A10

C. Broadside to the antenna

ARRL Tech Manual: Page 4-11

Ham Academy Lesson: 3C

Tech Class Questions valid thru 06-30-2018
Emergency Amateur Radio Club - www.earchi.org/education

T9A07

A. Signals can be significantly weaker than when it is outside of the vehicle

ARRL Tech Manual: Page 4-13

Ham Academy Lesson: 3C

Tech Class Questions valid thru 06-30-2018
Emergency Amateur Radio Club - www.earchi.org/education

T9A04

A. It does not transmit or receive as effectively as a full-sized antenna

ARRL Tech Manual: Page 4-13

Ham Academy Lesson: 3C

Tech Class Questions valid thru 06-30-2018
Emergency Amateur Radio Club - www.earchi.org/education

T9A13

C. A roof mounted antenna normally provides the most uniform radiation pattern

ARRL Tech Manual: Page 4-13

Ham Academy Lesson: 3C

Tech Class Questions valid thru 06-30-2018
Emergency Amateur Radio Club - www.earchi.org/education

T9A12

A. It offers a lower angle of radiation and more gain than a 1/4 wavelength antenna and usually provides improved coverage

ARRL Tech Manual: Page 4-13

Ham Academy Lesson: 3C

Tech Class Questions valid thru 06-30-2018
Emergency Amateur Radio Club - www.earchi.org/education

T3A05

B. Try to find a path that reflects signals to the repeater

ARRL Tech Manual: Page 4-14

Ham Academy Lesson: 3C

Tech Class Questions valid thru 06-30-2018
Emergency Amateur Radio Club - www.earchi.org/education

T9A14

A. Inserting an inductor in the radiating portion of the antenna to make it electrically longer

ARRL Tech Manual: Page 4-13

Ham Academy Lesson: 3C

Tech Class Questions valid thru 06-30-2018
Emergency Amateur Radio Club - www.earchi.org/education

T3A03

C. Horizontal

ARRL Tech Manual: Page 4-15

Ham Academy Lesson: 3C

Tech Class Questions valid thru 06-30-2018
Emergency Amateur Radio Club - www.earchi.org/education

T9A01

C. An antenna that concentrates signals in one direction

ARRL Tech Manual: Page 4-14

Ham Academy Lesson: 3C

Tech Class Questions valid thru 06-30-2018
Emergency Amateur Radio Club - www.earchi.org/education

T7C09

A. Moisture contamination

ARRL Tech Manual: Page 4-16

Ham Academy Lesson: 3C

Tech Class Questions valid thru 06-30-2018
Emergency Amateur Radio Club - www.earchi.org/education

T9A06

C. Directional antennas

ARRL Tech Manual: Page 4-15

Ham Academy Lesson: 3C

Tech Class Questions valid thru 06-30-2018
Emergency Amateur Radio Club - www.earchi.org/education

T9B10

C. RG-8 cable has less loss at a given frequency

ARRL Tech Manual: Page 4-16

Ham Academy Lesson: 3C

Tech Class Questions valid thru 06-30-2018
Emergency Amateur Radio Club - www.earchi.org/education

T7C10

D. Ultraviolet light can damage the jacket and allow water to enter the cable

ARRL Tech Manual: Page 4-16

Ham Academy Lesson: 3C

Tech Class Questions valid thru 06-30-2018
Emergency Amateur Radio Club - www.earchi.org/education

T7D08

C. Rosin-core solder

ARRL Tech Manual: Page 4-17

Ham Academy Lesson: 3C

Tech Class Questions valid thru 06-30-2018
Emergency Amateur Radio Club - www.earchi.org/education

T7C11

C. It requires special techniques to prevent water absorption

ARRL Tech Manual: Page 4-17

Ham Academy Lesson: 3C

Tech Class Questions valid thru 06-30-2018
Emergency Amateur Radio Club - www.earchi.org/education

T9B06

B. A Type N connector

ARRL Tech Manual: Page 4-17

Ham Academy Lesson: 3C

Tech Class Questions valid thru 06-30-2018
Emergency Amateur Radio Club - www.earchi.org/education

T7D09

C. A grainy or dull surface

ARRL Tech Manual: Page 4-17

Ham Academy Lesson: 3C

Tech Class Questions valid thru 06-30-2018
Emergency Amateur Radio Club - www.earchi.org/education

T9B08

A. To prevent an increase in feed line loss

ARRL Tech Manual: Page 4-17

Ham Academy Lesson: 3C

Tech Class Questions valid thru 06-30-2018
Emergency Amateur Radio Club - www.earchi.org/education

T9B07

C. They are commonly used at HF frequencies

ARRL Tech Manual: Page 4-17

Ham Academy Lesson: 3C

Tech Class Questions valid thru 06-30-2018
Emergency Amateur Radio Club - www.earchi.org/education

T7C08

D. Directional wattmeter

ARRL Tech Manual: Page 4-18

Ham Academy Lesson: 3C

Tech Class Questions valid thru 06-30-2018
Emergency Amateur Radio Club - www.earchi.org/education

T4A05

A. In series with the feed line, between the transmitter and antenna

ARRL Tech Manual: Page 4-18

Ham Academy Lesson: 3C

Tech Class Questions valid thru 06-30-2018
Emergency Amateur Radio Club - www.earchi.org/education

T7C02

B. An antenna analyzer

ARRL Tech Manual: Page 4-19

Ham Academy Lesson: 3C

Tech Class Questions valid thru 06-30-2018
Emergency Amateur Radio Club - www.earchi.org/education

T9B04

A. It matches the antenna system impedance to the transceiver's output impedance

ARRL Tech Manual: Page 4-18

Ham Academy Lesson: 3C

Tech Class Questions valid thru 06-30-2018
Emergency Amateur Radio Club - www.earchi.org/education

T0A01

B. Shorting the terminals can cause burns, fire, or an explosion

ARRL Tech Manual: Page 9-3

Ham Academy Lesson: 3D

Tech Class Questions valid thru 06-30-2018
Emergency Amateur Radio Club - www.earchi.org/education

T0A02

D. All of these choices are correct

ARRL Tech Manual: Page 9-2

Ham Academy Lesson: 3D

Tech Class Questions valid thru 06-30-2018
Emergency Amateur Radio Club - www.earchi.org/education

T0A11

D. You might receive an electric shock from the charged stored in large capacitors

ARRL Tech Manual: Page 9-3

Ham Academy Lesson: 3D

Tech Class Questions valid thru 06-30-2018
Emergency Amateur Radio Club - www.earchi.org/education

T0A06

D. All of these choices are correct

ARRL Tech Manual: Page 9-3

Ham Academy Lesson: 3D

Tech Class Questions valid thru 06-30-2018
Emergency Amateur Radio Club - www.earchi.org/education

T0A08

A. A fuse or circuit breaker in series with the AC hot conductor

ARRL Tech Manual: Page 9-4

Ham Academy Lesson: 3D

Tech Class Questions valid thru 06-30-2018
Emergency Amateur Radio Club - www.earchi.org/education

T0A03

C. Safety ground

ARRL Tech Manual: Page 9-4

Ham Academy Lesson: 3D

Tech Class Questions valid thru 06-30-2018
Emergency Amateur Radio Club - www.earchi.org/education

T0B11

B. Local electrical codes

ARRL Tech Manual: Page 9-4

Ham Academy Lesson: 3D

Tech Class Questions valid thru 06-30-2018
Emergency Amateur Radio Club - www.earchi.org/education

T0B10

C. Sharp bends must be avoided

ARRL Tech Manual: Page 9-4

Ham Academy Lesson: 3D

Tech Class Questions valid thru 06-30-2018
Emergency Amateur Radio Club - www.earchi.org/education

T0A07

D. Ground all of the protectors to a common plate which is in turn connected to an external ground

ARRL Tech Manual: Page 9-5

Ham Academy Lesson: 3D

Tech Class Questions valid thru 06-30-2018
Emergency Amateur Radio Club - www.earchi.org/education

T0B12

C. Ensure that connections are short and direct

ARRL Tech Manual: Page 9-4

Ham Academy Lesson: 3D

Tech Class Questions valid thru 06-30-2018
Emergency Amateur Radio Club - www.earchi.org/education

T0C12

A. RF radiation does not have sufficient energy to cause genetic damage

ARRL Tech Manual: Page 9-5

Ham Academy Lesson: 3D

Tech Class Questions valid thru 06-30-2018
Emergency Amateur Radio Club - www.earchi.org/education

T0C01

D. Non-ionizing radiation

ARRL Tech Manual: Page 9-5

Ham Academy Lesson: 3D

Tech Class Questions valid thru 06-30-2018
Emergency Amateur Radio Club - www.earchi.org/education

T0C07

B. They might receive a painful RF burn

ARRL Tech Manual: Page 9-6

Ham Academy Lesson: 3D

Tech Class Questions valid thru 06-30-2018
Emergency Amateur Radio Club - www.earchi.org/education

T0C05

D. The human body absorbs more RF energy at some frequencies than at others

ARRL Tech Manual: Page 9-6

Ham Academy Lesson: 3D

Tech Class Questions valid thru 06-30-2018
Emergency Amateur Radio Club - www.earchi.org/education

T0C10

A. It affects the average exposure of people to radiation

ARRL Tech Manual: Page 9-7

Ham Academy Lesson: 3D

Tech Class Questions valid thru 06-30-2018
Emergency Amateur Radio Club - www.earchi.org/education

T0C02

B. 50 MHz

ARRL Tech Manual: Page 9-7

Ham Academy Lesson: 3D

Tech Class Questions valid thru 06-30-2018
Emergency Amateur Radio Club - www.earchi.org/education

T0C13

C. 2 times as much

ARRL Tech Manual: Page 9-7

Ham Academy Lesson: 3D

Tech Class Questions valid thru 06-30-2018
Emergency Amateur Radio Club - www.earchi.org/education

T0C11

C. The percentage of time that a transmitter is transmitting

ARRL Tech Manual: Page 9-7

Ham Academy Lesson: 3D

Tech Class Questions valid thru 06-30-2018
Emergency Amateur Radio Club - www.earchi.org/education

T0C04

D. All of these choices are correct

ARRL Tech Manual: Page 9-9

Ham Academy Lesson: 3D

Tech Class Questions valid thru 06-30-2018
Emergency Amateur Radio Club - www.earchi.org/education

T0C03

C. 50 watts PEP at the antenna

ARRL Tech Manual: Page 9-9

Ham Academy Lesson: 3D

Tech Class Questions valid thru 06-30-2018
Emergency Amateur Radio Club - www.earchi.org/education

T0C09

B. By re-evaluating the station whenever an item of equipment is changed

ARRL Tech Manual: Page 9-9

Ham Academy Lesson: 3E

Tech Class Questions valid thru 06-30-2018
Emergency Amateur Radio Club - www.earchi.org/education

T0C06

D. All of these choices are correct

ARRL Tech Manual: Page 9-9

Ham Academy Lesson: 3E

Tech Class Questions valid thru 06-30-2018
Emergency Amateur Radio Club - www.earchi.org/education

T0B04

C. Look for and stay clear of any overhead electrical wires

ARRL Tech Manual: Page 9-12

Ham Academy Lesson: 3E

Tech Class Questions valid thru 06-30-2018
Emergency Amateur Radio Club - www.earchi.org/education

T0C08

A. Relocate antennas

ARRL Tech Manual: Page 9-10

Ham Academy Lesson: 3E

Tech Class Questions valid thru 06-30-2018
Emergency Amateur Radio Club - www.earchi.org/education

T0B09

C. The antenna could contact high-voltage power wires

ARRL Tech Manual: Page 9-12

Ham Academy Lesson: 3E

Tech Class Questions valid thru 06-30-2018
Emergency Amateur Radio Club - www.earchi.org/education

T0B06

D. So that if the antenna falls unexpectedly, no part of it can come closer than 10 feet to the power wires

ARRL Tech Manual: Page 9-12

Ham Academy Lesson: 3E

Tech Class Questions valid thru 06-30-2018
Emergency Amateur Radio Club - www.earchi.org/education

T0B02

C. Put on a climbing harness and safety glasses

ARRL Tech Manual: Page 9-13

Ham Academy Lesson: 3E

Tech Class Questions valid thru 06-30-2018
Emergency Amateur Radio Club - www.earchi.org/education

T0B01

C. At all times when any work is being done on the tower

ARRL Tech Manual: Page 9-13

Ham Academy Lesson: 3E

Tech Class Questions valid thru 06-30-2018
Emergency Amateur Radio Club - www.earchi.org/education

T0B03

D. Never

ARRL Tech Manual: Page 9-14

Ham Academy Lesson: 3E

Tech Class Questions valid thru 06-30-2018
Emergency Amateur Radio Club - www.earchi.org/education

T0B08

C. Separate eight-foot long ground rods for each tower leg, bonded to the tower and each other

ARRL Tech Manual: Page 9-13

Ham Academy Lesson: 3E

Tech Class Questions valid thru 06-30-2018
Emergency Amateur Radio Club - www.earchi.org/education

T0B07

C. This type of tower must never be climbed unless it is in the fully retracted position

ARRL Tech Manual: Page 9-14

Ham Academy Lesson: 3E

Tech Class Questions valid thru 06-30-2018
Emergency Amateur Radio Club - www.earchi.org/education

T0B05

C. To lift tower sections or antennas

ARRL Tech Manual: Page 9-14

Ham Academy Lesson: 3E

Tech Class Questions valid thru 06-30-2018
Emergency Amateur Radio Club - www.earchi.org/education

T4B02

A. The keypad or VFO knob

ARRL Tech Manual: Page 5-2

Ham Academy Lesson: 4A

Tech Class Questions valid thru 06-30-2018
Emergency Amateur Radio Club - www.earchi.org/education

T4A02

D. All of these choices are correct

ARRL Tech Manual: Page 5-1

Ham Academy Lesson: 4A

Tech Class Questions valid thru 06-30-2018
Emergency Amateur Radio Club - www.earchi.org/education

T4B01

B. The output signal might become distorted

ARRL Tech Manual: Page 5-4

Ham Academy Lesson: 4A

Tech Class Questions valid thru 06-30-2018
Emergency Amateur Radio Club - www.earchi.org/education

T4B04

B. Store the frequency in a memory channel

ARRL Tech Manual: Page 5-3

Ham Academy Lesson: 4A

Tech Class Questions valid thru 06-30-2018
Emergency Amateur Radio Club - www.earchi.org/education

T7C01

A. To prevent the radiation of signals when making tests

ARRL Tech Manual: Page 5-4

Ham Academy Lesson: 4A

Tech Class Questions valid thru 06-30-2018
Emergency Amateur Radio Club - www.earchi.org/education

T7B01

D. Talk farther away from the microphone

ARRL Tech Manual: Page 5-4

Ham Academy Lesson: 4A

Tech Class Questions valid thru 06-30-2018
Emergency Amateur Radio Club - www.earchi.org/education

T4A01

B. Some connectors include push-to-talk and voltages for powering the microphone

ARRL Tech Manual: Page 5-6

Ham Academy Lesson: 4A

Tech Class Questions valid thru 06-30-2018
Emergency Amateur Radio Club - www.earchi.org/education

T7C13

B. A non-inductive resistor and a heat sink

ARRL Tech Manual: Page 5-4

Ham Academy Lesson: 4A

Tech Class Questions valid thru 06-30-2018
Emergency Amateur Radio Club - www.earchi.org/education

T8D10

D. All of these choices are correct

ARRL Tech Manual: Page 5-6

Ham Academy Lesson: 4A

Tech Class Questions valid thru 06-30-2018
Emergency Amateur Radio Club - www.earchi.org/education

T7A07

D. The push to talk function which switches between receive and transmit

ARRL Tech Manual: Page 5-6

Ham Academy Lesson: 4A

Tech Class Questions valid thru 06-30-2018
Emergency Amateur Radio Club - www.earchi.org/education

T4B03

D. To mute receiver output noise when no signal is being received

ARRL Tech Manual: Page 5-7

Ham Academy Lesson: 4A

Tech Class Questions valid thru 06-30-2018
Emergency Amateur Radio Club - www.earchi.org/education

T2B03

B. Carrier squelch

ARRL Tech Manual: Page 5-7

Ham Academy Lesson: 4A

Tech Class Questions valid thru 06-30-2018
Emergency Amateur Radio Club - www.earchi.org/education

T4B06

D. The receiver RIT or clarifier

ARRL Tech Manual: Page 5-7

Ham Academy Lesson: 4A

Tech Class Questions valid thru 06-30-2018
Emergency Amateur Radio Club - www.earchi.org/education

T4B05

C. Turn on the noise blanker

ARRL Tech Manual: Page 5-7

Ham Academy Lesson: 4A

Tech Class Questions valid thru 06-30-2018
Emergency Amateur Radio Club - www.earchi.org/education

T4B08

B. Permits noise or interference reduction by selecting a bandwidth matching the mode

ARRL Tech Manual: Page 5-7

Ham Academy Lesson: 4A

Tech Class Questions valid thru 06-30-2018
Emergency Amateur Radio Club - www.earchi.org/education

T4B07

B. Receiver Incremental Tuning

ARRL Tech Manual: Page 5-7

Ham Academy Lesson: 4A

Tech Class Questions valid thru 06-30-2018
Emergency Amateur Radio Club - www.earchi.org/education

T4B10

A. 500 Hz

ARRL Tech Manual: Page 5-7

Ham Academy Lesson: 4A

Tech Class Questions valid thru 06-30-2018
Emergency Amateur Radio Club - www.earchi.org/education

T4B09

C. 2400 Hz

ARRL Tech Manual: Page 5-7

Ham Academy Lesson: 4A

Tech Class Questions valid thru 06-30-2018
Emergency Amateur Radio Club - www.earchi.org/education

T7A10

B. An RF power amplifier

ARRL Tech Manual: Page 5-8

Ham Academy Lesson: 4A

Tech Class Questions valid thru 06-30-2018
Emergency Amateur Radio Club - www.earchi.org/education

T4B12

A. To keep received audio relatively constant

ARRL Tech Manual: Page 5-7

Ham Academy Lesson: 4A

Tech Class Questions valid thru 06-30-2018
Emergency Amateur Radio Club - www.earchi.org/education

T8D09

C. International Morse

ARRL Tech Manual: Page 5-9

Ham Academy Lesson: 4B

Tech Class Questions valid thru 06-30-2018
Emergency Amateur Radio Club - www.earchi.org/education

T8D01

D. All of these choices are correct

ARRL Tech Manual: Page 5-9

Ham Academy Lesson: 4B

Tech Class Questions valid thru 06-30-2018
Emergency Amateur Radio Club - www.earchi.org/education

T8D11

C. A digital scheme whereby the receiving station detects errors and sends a request to the sending station to retransmit the information

ARRL Tech Manual: Page 5-10

Ham Academy Lesson: 4B

Tech Class Questions valid thru 06-30-2018
Emergency Amateur Radio Club - www.earchi.org/education

T8D08

D. All of these choices are correct

ARRL Tech Manual: Page 5-10

Ham Academy Lesson: 4B

Tech Class Questions valid thru 06-30-2018
Emergency Amateur Radio Club - www.earchi.org/education

T8D03

D. A Global Positioning System receiver

ARRL Tech Manual: Page 5-11

Ham Academy Lesson: 4B

Tech Class Questions valid thru 06-30-2018
Emergency Amateur Radio Club - www.earchi.org/education

T8D02

A. Automatic Packet Reporting System

ARRL Tech Manual: Page 5-11

Ham Academy Lesson: 4B

Tech Class Questions valid thru 06-30-2018
Emergency Amateur Radio Club - www.earchi.org/education

T8D06

B. Phase Shift Keying

ARRL Tech Manual: Page 5-11

Ham Academy Lesson: 4B

Tech Class Questions valid thru 06-30-2018
Emergency Amateur Radio Club - www.earchi.org/education

T8D05

A. Providing real time tactical digital communications in conjunction with a map showing the locations of stations

ARRL Tech Manual: Page 5-11

Ham Academy Lesson: 4B

Tech Class Questions valid thru 06-30-2018
Emergency Amateur Radio Club - www.earchi.org/education

T4A06

C. Terminal node controller

ARRL Tech Manual: Page 5-13

Ham Academy Lesson: 4B

Tech Class Questions valid thru 06-30-2018
Emergency Amateur Radio Club - www.earchi.org/education

T8D07

D. A low-rate data transmission mode

ARRL Tech Manual: Page 5-11

Ham Academy Lesson: 4B

Tech Class Questions valid thru 06-30-2018
Emergency Amateur Radio Club - www.earchi.org/education

T8C11

A. A gateway

ARRL Tech Manual: Page 5-14

Ham Academy Lesson: 4B

Tech Class Questions valid thru 06-30-2018
Emergency Amateur Radio Club - www.earchi.org/education

T4A07

C. The sound card provides audio to the microphone input and converts received audio to digital form

ARRL Tech Manual: Page 5-13

Ham Academy Lesson: 4B

Tech Class Questions valid thru 06-30-2018
Emergency Amateur Radio Club - www.earchi.org/education

T4A11

A. At the battery or engine block ground strap

ARRL Tech Manual: Page 5-15

Ham Academy Lesson: 4B

Tech Class Questions valid thru 06-30-2018
Emergency Amateur Radio Club - www.earchi.org/education

T4A03

A. It prevents voltage fluctuations from reaching sensitive circuits

ARRL Tech Manual: Page 5-15

Ham Academy Lesson: 4B

Tech Class Questions valid thru 06-30-2018
Emergency Amateur Radio Club - www.earchi.org/education

T6D05

A. Regulator

ARRL Tech Manual: Page 5-15

Ham Academy Lesson: 4B

Tech Class Questions valid thru 06-30-2018
Emergency Amateur Radio Club - www.earchi.org/education

T5A06

A. About 12 volts

ARRL Tech Manual: Page 5-15

Ham Academy Lesson: 4B

Tech Class Questions valid thru 06-30-2018
Emergency Amateur Radio Club - www.earchi.org/education

T4A12

D. Noise on the vehicle's electrical system is being transmitted along with your speech audio

ARRL Tech Manual: Page 5-16

Ham Academy Lesson: 4B

Tech Class Questions valid thru 06-30-2018
Emergency Amateur Radio Club - www.earchi.org/education

T4A10

B. The alternator

ARRL Tech Manual: Page 5-16

Ham Academy Lesson: 4B

Tech Class Questions valid thru 06-30-2018
Emergency Amateur Radio Club - www.earchi.org/education

T6A11

B. Carbon-zinc

ARRL Tech Manual: Page 5-17

Ham Academy Lesson: 4B

Tech Class Questions valid thru 06-30-2018
Emergency Amateur Radio Club - www.earchi.org/education

T6A10

D. All of these choices are correct

ARRL Tech Manual: Page 5-17

Ham Academy Lesson: 4B

Tech Class Questions valid thru 06-30-2018
Emergency Amateur Radio Club - www.earchi.org/education

T0A10

A. The battery could overheat and give off flammable gas or explode

ARRL Tech Manual: Page 5-18

Ham Academy Lesson: 4B

Tech Class Questions valid thru 06-30-2018
Emergency Amateur Radio Club - www.earchi.org/education

T0A09

C. Explosive gas can collect if not properly vented

ARRL Tech Manual: Page 5-18

Ham Academy Lesson: 4B

Tech Class Questions valid thru 06-30-2018
Emergency Amateur Radio Club - www.earchi.org/education

T7B03

D. All of these choices are correct

ARRL Tech Manual: Page 5-19

Ham Academy Lesson: 4C

Tech Class Questions valid thru 06-30-2018
Emergency Amateur Radio Club - www.earchi.org/education

T2C02

C. Connect the battery in parallel with a vehicle's battery and run the engine

ARRL Tech Manual: Page 5-18

Ham Academy Lesson: 4B

Tech Class Questions valid thru 06-30-2018
Emergency Amateur Radio Club - www.earchi.org/education

T4A09

D. Ferrite choke

ARRL Tech Manual: Page 5-20

Ham Academy Lesson: 4C

Tech Class Questions valid thru 06-30-2018
Emergency Amateur Radio Club - www.earchi.org/education

T7B07

D. All of these choices are correct

ARRL Tech Manual: Page 5-19

Ham Academy Lesson: 4C

Tech Class Questions valid thru 06-30-2018
Emergency Amateur Radio Club - www.earchi.org/education

T7B02

A. The receiver is unable to reject strong signals outside the AM or FM band

ARRL Tech Manual: Page 5-21

Ham Academy Lesson: 4C

Tech Class Questions valid thru 06-30-2018
Emergency Amateur Radio Club - www.earchi.org/education

T4A04

A. Between the transmitter and the antenna

ARRL Tech Manual: Page 5-21

Ham Academy Lesson: 4C

Tech Class Questions valid thru 06-30-2018
Emergency Amateur Radio Club - www.earchi.org/education

T7B05

A. Block the amateur signal with a filter at the antenna input of the affected receiver

ARRL Tech Manual: Page 5-21

Ham Academy Lesson: 4C

Tech Class Questions valid thru 06-30-2018
Emergency Amateur Radio Club - www.earchi.org/education

T7B04

D. Put a RF filter on the telephone

ARRL Tech Manual: Page 5-21

Ham Academy Lesson: 4C

Tech Class Questions valid thru 06-30-2018
Emergency Amateur Radio Club - www.earchi.org/education

T6D12

C. To prevent coupling of unwanted signals to or from the wire

ARRL Tech Manual: Page 5-22

Ham Academy Lesson: 4C

Tech Class Questions valid thru 06-30-2018
Emergency Amateur Radio Club - www.earchi.org/education

T7B12

D. Be sure all TV coaxial connectors are installed properly

ARRL Tech Manual: Page 5-21

Ham Academy Lesson: 4C

Tech Class Questions valid thru 06-30-2018
Emergency Amateur Radio Club - www.earchi.org/education

T7B08

D. All of these choices are correct

ARRL Tech Manual: Page 5-23

Ham Academy Lesson: 4C

Tech Class Questions valid thru 06-30-2018
Emergency Amateur Radio Club - www.earchi.org/education

T7B06

A. Make sure that your station is functioning properly and that it does not cause interference to your own radio or television when it is tuned to the same channel

ARRL Tech Manual: Page 5-22

Ham Academy Lesson: 4C

Tech Class Questions valid thru 06-30-2018
Emergency Amateur Radio Club - www.earchi.org/education

T7B11

C. Reports of garbled, distorted, or unintelligible transmissions

ARRL Tech Manual: Page 5-24

Ham Academy Lesson: 4C

Tech Class Questions valid thru 06-30-2018
Emergency Amateur Radio Club - www.earchi.org/education

T7B09

A. An unlicensed device that may emit low powered radio signals on frequencies used by a licensed service

ARRL Tech Manual: Page 5-23

Ham Academy Lesson: 4C

Tech Class Questions valid thru 06-30-2018
Emergency Amateur Radio Club - www.earchi.org/education

T1E01

D. Never

ARRL Tech Manual: Page 8-1

Ham Academy Lesson: 4D

Tech Class Questions valid thru 06-30-2018
Emergency Amateur Radio Club - www.earchi.org/education

T4A08

D. Flat strap

ARRL Tech Manual: Page 5-25

Ham Academy Lesson: 4C

Tech Class Questions valid thru 06-30-2018
Emergency Amateur Radio Club - www.earchi.org/education

T1E02

D. Only a person for whom an amateur operator/primary station license grant appears in the FCC database or who is authorized for alien reciprocal operation

ARRL Tech Manual: Page 8-2

Ham Academy Lesson: 4D

Tech Class Questions valid thru 06-30-2018
Emergency Amateur Radio Club - www.earchi.org/education

T1E03

A. The station licensee

ARRL Tech Manual: Page 8-1

Ham Academy Lesson: 4D

Tech Class Questions valid thru 06-30-2018
Emergency Amateur Radio Club - www.earchi.org/education

T1E05

C. The location at which the control operator function is performed

ARRL Tech Manual: Page 8-2

Ham Academy Lesson: 4D

Tech Class Questions valid thru 06-30-2018
Emergency Amateur Radio Club - www.earchi.org/education

T1E04

D. The class of operator license held by the control operator

ARRL Tech Manual: Page 8-2

Ham Academy Lesson: 4D

Tech Class Questions valid thru 06-30-2018
Emergency Amateur Radio Club - www.earchi.org/education

T1E11

D. The station licensee

ARRL Tech Manual: Page 8-2

Ham Academy Lesson: 4D

Tech Class Questions valid thru 06-30-2018
Emergency Amateur Radio Club - www.earchi.org/education

T1E07

D. The control operator and the station licensee are equally responsible

ARRL Tech Manual: Page 8-2

Ham Academy Lesson: 4D

Tech Class Questions valid thru 06-30-2018
Emergency Amateur Radio Club - www.earchi.org/education

T1D11

D. When transmitting signals to control a model craft

ARRL Tech Manual: Page 8-3

Ham Academy Lesson: 4D

Tech Class Questions valid thru 06-30-2018
Emergency Amateur Radio Club - www.earchi.org/education

T1E12

A. At no time

ARRL Tech Manual: Page 8-2

Ham Academy Lesson: 4D

Tech Class Questions valid thru 06-30-2018
Emergency Amateur Radio Club - www.earchi.org/education

T1F01

A. Tactical call sign

ARRL Tech Manual: Page 8-4

Ham Academy Lesson: 4D

Tech Class Questions valid thru 06-30-2018
Emergency Amateur Radio Club - www.earchi.org/education

T1F03

D. At least every 10 minutes during and at the end of a communication

ARRL Tech Manual: Page 8-3

Ham Academy Lesson: 4D

Tech Class Questions valid thru 06-30-2018
Emergency Amateur Radio Club - www.earchi.org/education

T1F04

C. The English language

ARRL Tech Manual: Page 8-4

Ham Academy Lesson: 4D

Tech Class Questions valid thru 06-30-2018
Emergency Amateur Radio Club - www.earchi.org/education

T1F02

C. At the end of each communication and every ten minutes during a communication

ARRL Tech Manual: Page 8-4

Ham Academy Lesson: 4D

Tech Class Questions valid thru 06-30-2018
Emergency Amateur Radio Club - www.earchi.org/education

T1F06

D. All of these choices are correct

ARRL Tech Manual: Page 8-4

Ham Academy Lesson: 4D

Tech Class Questions valid thru 06-30-2018
Emergency Amateur Radio Club - www.earchi.org/education

T1F05

B. Send the call sign using CW or phone emission

ARRL Tech Manual: Page 8-4

Ham Academy Lesson: 4D

Tech Class Questions valid thru 06-30-2018
Emergency Amateur Radio Club - www.earchi.org/education

T1F08

D. /KT, /AE or /AG when using new license privileges earned by CSCE while waiting for an upgrade to a previously issued license to appear in the FCC license database

ARRL Tech Manual: Page 8-5

Ham Academy Lesson: 4D

Tech Class Questions valid thru 06-30-2018
Emergency Amateur Radio Club - www.earchi.org/education

T2B09

A. Use of a phonetic alphabet

ARRL Tech Manual: Page 8-4

Ham Academy Lesson: 4D

Tech Class Questions valid thru 06-30-2018
Emergency Amateur Radio Club - www.earchi.org/education

T2A07

D. Station identification is required at least every ten minutes during the test and at the end of the test

ARRL Tech Manual: Page 8-6

Ham Academy Lesson: 4D

Tech Class Questions valid thru 06-30-2018
Emergency Amateur Radio Club - www.earchi.org/education

T2A06

A. Properly identify the transmitting station

ARRL Tech Manual: Page 8-6

Ham Academy Lesson: 4D

Tech Class Questions valid thru 06-30-2018
Emergency Amateur Radio Club - www.earchi.org/education

T1A06

D. Radionavigation Service

ARRL Tech Manual: Page 8-7

Ham Academy Lesson: 4D

Tech Class Questions valid thru 06-30-2018
Emergency Amateur Radio Club - www.earchi.org/education

T1A04

C. That which seriously degrades, obstructs, or repeatedly interrupts a radio communication service operating in accordance with the Radio Regulations

ARRL Tech Manual: Page 8-7

Ham Academy Lesson: 4D

Tech Class Questions valid thru 06-30-2018
Emergency Amateur Radio Club - www.earchi.org/education

T1A11

B. At no time

ARRL Tech Manual: Page 8-8

Ham Academy Lesson: 4E

Tech Class Questions valid thru 06-30-2018
Emergency Amateur Radio Club - www.earchi.org/education

T2B08

A. Common courtesy should prevail, but no one has absolute right to an amateur frequency

ARRL Tech Manual: Page 8-7

Ham Academy Lesson: 4D

Tech Class Questions valid thru 06-30-2018
Emergency Amateur Radio Club - www.earchi.org/education

T1E09

D. Local control

ARRL Tech Manual: Page 8-10

Ham Academy Lesson: 4E

Tech Class Questions valid thru 06-30-2018
Emergency Amateur Radio Club - www.earchi.org/education

T1F11

A. Any station whose government permits such communications

ARRL Tech Manual: Page 8-9

Ham Academy Lesson: 4E

Tech Class Questions valid thru 06-30-2018
Emergency Amateur Radio Club - www.earchi.org/education

T1F07

B. The foreign station must be one with which the U.S. has a third party agreement

ARRL Tech Manual: Page 8-10

Ham Academy Lesson: 4E

Tech Class Questions valid thru 06-30-2018
Emergency Amateur Radio Club - www.earchi.org/education

T1E10

B. Operating the station over the Internet

ARRL Tech Manual: Page 8-10

Ham Academy Lesson: 4E

Tech Class Questions valid thru 06-30-2018
Emergency Amateur Radio Club - www.earchi.org/education

T1E06

A. Automatic

ARRL Tech Manual: Page 8-11

Ham Academy Lesson: 4E

Tech Class Questions valid thru 06-30-2018
Emergency Amateur Radio Club - www.earchi.org/education

T1D06

B. Any such language is prohibited

ARRL Tech Manual: Page 8-11

Ham Academy Lesson: 4E

Tech Class Questions valid thru 06-30-2018
Emergency Amateur Radio Club - www.earchi.org/education

T1F10

A. The control operator of the originating station

ARRL Tech Manual: Page 8-11

Ham Academy Lesson: 4E

Tech Class Questions valid thru 06-30-2018
Emergency Amateur Radio Club - www.earchi.org/education

T1E08

A. Repeater operation

ARRL Tech Manual: Page 8-11

Ham Academy Lesson: 4E

Tech Class Questions valid thru 06-30-2018
Emergency Amateur Radio Club - www.earchi.org/education

T1D05

A. When the equipment is normally used in an amateur station and such activity is not conducted on a regular basis

ARRL Tech Manual: Page 8-12

Ham Academy Lesson: 4E

Tech Class Questions valid thru 06-30-2018
Emergency Amateur Radio Club - www.earchi.org/education

T1D03

C. Only when transmitting control commands to space stations or radio control craft

ARRL Tech Manual: Page 8-12

Ham Academy Lesson: 4E

Tech Class Questions valid thru 06-30-2018
Emergency Amateur Radio Club - www.earchi.org/education

T1D02

A. During an Armed Forces Day Communications Test

ARRL Tech Manual: Page 8-13

Ham Academy Lesson: 4E

Tech Class Questions valid thru 06-30-2018
Emergency Amateur Radio Club - www.earchi.org/education

T1D08

B. When the communication is incidental to classroom instruction at an educational institution

ARRL Tech Manual: Page 8-12

Ham Academy Lesson: 4E

Tech Class Questions valid thru 06-30-2018
Emergency Amateur Radio Club - www.earchi.org/education

T1D07

B. Auxiliary, repeater, or space stations

ARRL Tech Manual: Page 8-13

Ham Academy Lesson: 4E

Tech Class Questions valid thru 06-30-2018
Emergency Amateur Radio Club - www.earchi.org/education

T1D04

A. When incidental to an authorized retransmission of manned spacecraft communications

ARRL Tech Manual: Page 8-13

Ham Academy Lesson: 4E

Tech Class Questions valid thru 06-30-2018
Emergency Amateur Radio Club - www.earchi.org/education

T1D10

D. Transmissions intended for reception by the general public

ARRL Tech Manual: Page 8-13

Ham Academy Lesson: 4E

Tech Class Questions valid thru 06-30-2018
Emergency Amateur Radio Club - www.earchi.org/education

T1D09

A. Only where such communications directly relate to the immediate safety of human life or protection of property

ARRL Tech Manual: Page 8-13

Ham Academy Lesson: 4E

Tech Class Questions valid thru 06-30-2018
Emergency Amateur Radio Club - www.earchi.org/education

T8C05

A. A letter-number designator assigned to a geographic location

ARRL Tech Manual: Page 6-4

Ham Academy Lesson: 5A

Tech Class Questions valid thru 06-30-2018
Emergency Amateur Radio Club - www.earchi.org/education

T1D12

B. When transmitting code practice, information bulletins, or transmissions necessary to provide emergency communications

ARRL Tech Manual: Page 8-13

Ham Academy Lesson: 4E

Tech Class Questions valid thru 06-30-2018
Emergency Amateur Radio Club - www.earchi.org/education

T2B11

B. QSY

ARRL Tech Manual: Page 6-5

Ham Academy Lesson: 5A

Tech Class Questions valid thru 06-30-2018
Emergency Amateur Radio Club - www.earchi.org/education

T2B10

A. QRM

ARRL Tech Manual: Page 6-5

Ham Academy Lesson: 5A

Tech Class Questions valid thru 06-30-2018
Emergency Amateur Radio Club - www.earchi.org/education

T2B13

C. It is permitted in at least some portion of all the amateur bands above 50 MHz

ARRL Tech Manual: Page 6-9

Ham Academy Lesson: 5A

Tech Class Questions valid thru 06-30-2018
Emergency Amateur Radio Club - www.earchi.org/education

T2B01

C. Simplex communication

ARRL Tech Manual: Page 6-9

Ham Academy Lesson: 5A

Tech Class Questions valid thru 06-30-2018
Emergency Amateur Radio Club - www.earchi.org/education

T2A04

B. Say the station's call sign then identify with your call sign

ARRL Tech Manual: Page 6-12

Ham Academy Lesson: 5A

Tech Class Questions valid thru 06-30-2018
Emergency Amateur Radio Club - www.earchi.org/education

T2A09

B. Your call sign

ARRL Tech Manual: Page 6-11

Ham Academy Lesson: 5A

Tech Class Questions valid thru 06-30-2018
Emergency Amateur Radio Club - www.earchi.org/education

T2A05

C. Transmit the other station's call sign followed by your call sign

ARRL Tech Manual: Page 6-13

Ham Academy Lesson: 5A

Tech Class Questions valid thru 06-30-2018
Emergency Amateur Radio Club - www.earchi.org/education

T7B10

D. All of these choices are correct

ARRL Tech Manual: Page 6-12

Ham Academy Lesson: 5A

Tech Class Questions valid thru 06-30-2018
Emergency Amateur Radio Club - www.earchi.org/education

T2A12

D. All of these choices are correct

ARRL Tech Manual: Page 6-13

Ham Academy Lesson: 5A

Tech Class Questions valid thru 06-30-2018
Emergency Amateur Radio Club - www.earchi.org/education

T2A08

D. Calling any station

ARRL Tech Manual: Page 6-13

Ham Academy Lesson: 5A

Tech Class Questions valid thru 06-30-2018
Emergency Amateur Radio Club - www.earchi.org/education

T2B12

A. When the stations can communicate directly without using a repeater

ARRL Tech Manual: Page 6-14

Ham Academy Lesson: 5A

Tech Class Questions valid thru 06-30-2018
Emergency Amateur Radio Club - www.earchi.org/education

T2A02

D. 446.000 MHz

ARRL Tech Manual: Page 6-14

Ham Academy Lesson: 5A

Tech Class Questions valid thru 06-30-2018
Emergency Amateur Radio Club - www.earchi.org/education

T2A03

A. Plus or minus 5 MHz

ARRL Tech Manual: Page 6-16

Ham Academy Lesson: 5B

Tech Class Questions valid thru 06-30-2018
Emergency Amateur Radio Club - www.earchi.org/education

T2A01

B. Plus or minus 600 kHz

ARRL Tech Manual: Page 6-16

Ham Academy Lesson: 5B

Tech Class Questions valid thru 06-30-2018
Emergency Amateur Radio Club - www.earchi.org/education

T4B11

C. The difference between the repeater's transmit and receive frequencies

ARRL Tech Manual: Page 6-16

Ham Academy Lesson: 5B

Tech Class Questions valid thru 06-30-2018
Emergency Amateur Radio Club - www.earchi.org/education

T2B02

D. CTCSS

ARRL Tech Manual: Page 6-16

Ham Academy Lesson: 5B

Tech Class Questions valid thru 06-30-2018
Emergency Amateur Radio Club - www.earchi.org/education

T8C13

A. A technique to connect amateur radio systems, such as repeaters, via the Internet using Voice Over Internet Protocol

ARRL Tech Manual: Page 6-18

Ham Academy Lesson: 5B

Tech Class Questions valid thru 06-30-2018
Emergency Amateur Radio Club - www.earchi.org/education

T2B04

D. All of these choices are correct

ARRL Tech Manual: Page 6-17

Ham Academy Lesson: 5B

Tech Class Questions valid thru 06-30-2018
Emergency Amateur Radio Club - www.earchi.org/education

T8C09

C. From a repeater directory

ARRL Tech Manual: Page 6-19

Ham Academy Lesson: 5B

Tech Class Questions valid thru 06-30-2018
Emergency Amateur Radio Club - www.earchi.org/education

T8C06

B. By using DTMF signals

ARRL Tech Manual: Page 6-19

Ham Academy Lesson: 5B

Tech Class Questions valid thru 06-30-2018
Emergency Amateur Radio Club - www.earchi.org/education

T8C12

D. A method of delivering voice communications over the Internet using digital techniques

ARRL Tech Manual: Page 6-19

Ham Academy Lesson: 5B

Tech Class Questions valid thru 06-30-2018
Emergency Amateur Radio Club - www.earchi.org/education

T8C10

D. Use the keypad to transmit the IRLP node ID

ARRL Tech Manual: Page 6-19

Ham Academy Lesson: 5B

Tech Class Questions valid thru 06-30-2018
Emergency Amateur Radio Club - www.earchi.org/education

T2C07

C. Remain on frequency without transmitting until asked to do so by the net control station

ARRL Tech Manual: Page 6-21

Ham Academy Lesson: 5B

Tech Class Questions valid thru 06-30-2018
Emergency Amateur Radio Club - www.earchi.org/education

T2C06

C. Begin your transmission by saying "Priority" or "Emergency" followed by your call sign

ARRL Tech Manual: Page 6-21

Ham Academy Lesson: 5B

Tech Class Questions valid thru 06-30-2018
Emergency Amateur Radio Club - www.earchi.org/education

T2C08

A. Passing messages exactly as received

ARRL Tech Manual: Page 6-22

Ham Academy Lesson: 5B

Tech Class Questions valid thru 06-30-2018
Emergency Amateur Radio Club - www.earchi.org/education

T2C03

C. Such words and terms should be spelled out using a standard phonetic alphabet

ARRL Tech Manual: Page 6-22

Ham Academy Lesson: 5B

Tech Class Questions valid thru 06-30-2018
Emergency Amateur Radio Club - www.earchi.org/education

T2C11

A. The check is a count of the number of words or word equivalents in the text portion of the message

ARRL Tech Manual: Page 6-22

Ham Academy Lesson: 5B

Tech Class Questions valid thru 06-30-2018
Emergency Amateur Radio Club - www.earchi.org/education

T2C10

D. The information needed to track the message as it passes through the amateur radio traffic handling system

ARRL Tech Manual: Page 6-22

Ham Academy Lesson: 5B

Tech Class Questions valid thru 06-30-2018
Emergency Amateur Radio Club - www.earchi.org/education

T2C05

D. All of these choices are correct

ARRL Tech Manual: Page 6-24

Ham Academy Lesson: 5B

Tech Class Questions valid thru 06-30-2018
Emergency Amateur Radio Club - www.earchi.org/education

T2C04

D. Both organizations may provide communications during emergencies

ARRL Tech Manual: Page 6-24

Ham Academy Lesson: 5B

Tech Class Questions valid thru 06-30-2018
Emergency Amateur Radio Club - www.earchi.org/education

T2C01

D. Never, FCC rules always apply

ARRL Tech Manual: Page 6-25

Ham Academy Lesson: 5B

Tech Class Questions valid thru 06-30-2018
Emergency Amateur Radio Club - www.earchi.org/education

T2C12

A. Licensed amateurs who have voluntarily registered their qualifications and equipment for communications duty in the public service

ARRL Tech Manual: Page 6-24

Ham Academy Lesson: 5B

Tech Class Questions valid thru 06-30-2018
Emergency Amateur Radio Club - www.earchi.org/education

T7A09

B. A multi-mode VHF transceiver

ARRL Tech Manual: Page 6-28

Ham Academy Lesson: 5C

Tech Class Questions valid thru 06-30-2018
Emergency Amateur Radio Club - www.earchi.org/education

T2C09

D. Yes, but only if necessary in situations involving the immediate safety of human life or protection of property

ARRL Tech Manual: Page 6-25

Ham Academy Lesson: 5C

Tech Class Questions valid thru 06-30-2018
Emergency Amateur Radio Club - www.earchi.org/education

T8C04

C. Send only the minimum information needed for proper identification and the contest exchange

ARRL Tech Manual: Page 6-28

Ham Academy Lesson: 5C

Tech Class Questions valid thru 06-30-2018
Emergency Amateur Radio Club - www.earchi.org/education

T8C03

A. Contesting

ARRL Tech Manual: Page 6-28

Ham Academy Lesson: 5C

Tech Class Questions valid thru 06-30-2018
Emergency Amateur Radio Club - www.earchi.org/education

T8C02

B. A directional antenna

ARRL Tech Manual: Page 6-29

Ham Academy Lesson: 5C

Tech Class Questions valid thru 06-30-2018
Emergency Amateur Radio Club - www.earchi.org/education

T8C01

C. Radio direction finding

ARRL Tech Manual: Page 6-29

Ham Academy Lesson: 5C

Tech Class Questions valid thru 06-30-2018
Emergency Amateur Radio Club - www.earchi.org/education

T8B04

B. Any amateur holding a Technician or higher class license

ARRL Tech Manual: Page 6-30

Ham Academy Lesson: 5C

Tech Class Questions valid thru 06-30-2018
Emergency Amateur Radio Club - www.earchi.org/education

T8B01

D. Any amateur whose license privileges allow them to transmit on the satellite uplink frequency

ARRL Tech Manual: Page 6-30

Ham Academy Lesson: 5C

Tech Class Questions valid thru 06-30-2018
Emergency Amateur Radio Club - www.earchi.org/education

T8B07

C. An observed change in signal frequency caused by relative motion between the satellite and the earth station

ARRL Tech Manual: Page 6-30

Ham Academy Lesson: 5C

Tech Class Questions valid thru 06-30-2018
Emergency Amateur Radio Club - www.earchi.org/education

T8B05

D. A transmission from a space station that contains information about a satellite

ARRL Tech Manual: Page 6-30

Ham Academy Lesson: 5C

Tech Class Questions valid thru 06-30-2018
Emergency Amateur Radio Club - www.earchi.org/education

T8B02

B. The minimum amount of power needed to complete the contact

ARRL Tech Manual: Page 6-31

Ham Academy Lesson: 5C

Tech Class Questions valid thru 06-30-2018
Emergency Amateur Radio Club - www.earchi.org/education

T8B10

C. The satellite is in a Low Earth Orbit

ARRL Tech Manual: Page 6-30

Ham Academy Lesson: 5C

Tech Class Questions valid thru 06-30-2018
Emergency Amateur Radio Club - www.earchi.org/education

T8B06

B. The Keplerian elements

ARRL Tech Manual: Page 6-31

Ham Academy Lesson: 5C

Tech Class Questions valid thru 06-30-2018
Emergency Amateur Radio Club - www.earchi.org/education

T8B03

D. All of these answers are correct

ARRL Tech Manual: Page 6-31

Ham Academy Lesson: 5C

Tech Class Questions valid thru 06-30-2018
Emergency Amateur Radio Club - www.earchi.org/education

T8B09

B. Rotation of the satellite and its antennas

ARRL Tech Manual: Page 6-31

Ham Academy Lesson: 5C

Tech Class Questions valid thru 06-30-2018
Emergency Amateur Radio Club - www.earchi.org/education

T8B08

B. The satellite uplink is in the 70 cm band and the downlink is in the 2 meter band

ARRL Tech Manual: Page 6-31

Ham Academy Lesson: 5C

Tech Class Questions valid thru 06-30-2018
Emergency Amateur Radio Club - www.earchi.org/education

T8D04

C. An analog fast scan color TV signal

ARRL Tech Manual: Page 6-32

Ham Academy Lesson: 5C

Tech Class Questions valid thru 06-30-2018
Emergency Amateur Radio Club - www.earchi.org/education

T8B11

C. FM Packet

ARRL Tech Manual: Page 6-31

Ham Academy Lesson: 5C

Tech Class Questions valid thru 06-30-2018
Emergency Amateur Radio Club - www.earchi.org/education

T1A13

C. A one-way transmission to initiate, modify or terminate functions of a device at a distance

ARRL Tech Manual: Page 6-33

Ham Academy Lesson: 5C

Tech Class Questions valid thru 06-30-2018
Emergency Amateur Radio Club - www.earchi.org/education

T1A07

C. A one-way transmission of measurements at a distance from the measuring instrument

ARRL Tech Manual: Page 6-33

Ham Academy Lesson: 5C

Tech Class Questions valid thru 06-30-2018
Emergency Amateur Radio Club - www.earchi.org/education

T8C08

C. A label indicating the licensee's name, call sign and address must be affixed to the transmitter

ARRL Tech Manual: Page 6-33

Ham Academy Lesson: 5C

Tech Class Questions valid thru 06-30-2018
Emergency Amateur Radio Club - www.earchi.org/education

T8C07

B. 1 watt

ARRL Tech Manual: Page 6-33

Ham Academy Lesson: 5C

Tech Class Questions valid thru 06-30-2018
Emergency Amateur Radio Club - www.earchi.org/education

T1A01

C. Advancing skills in the technical and communication phases of the radio art

ARRL Tech Manual: Page 7-2

Ham Academy Lesson: 5D

Tech Class Questions valid thru 06-30-2018
Emergency Amateur Radio Club - www.earchi.org/education

T1A03

D. Part 97

ARRL Tech Manual: Page 7-1

Ham Academy Lesson: 5D

Tech Class Questions valid thru 06-30-2018
Emergency Amateur Radio Club - www.earchi.org/education

T1A05

A. Enhancing international goodwill

ARRL Tech Manual: Page 7-2

Ham Academy Lesson: 5D

Tech Class Questions valid thru 06-30-2018
Emergency Amateur Radio Club - www.earchi.org/education

T1A02

C. The FCC

ARRL Tech Manual: Page 7-2

Ham Academy Lesson: 5D

Tech Class Questions valid thru 06-30-2018
Emergency Amateur Radio Club - www.earchi.org/education

T1A10

A. A station in the Amateur Radio Service consisting of the apparatus necessary for carrying on radio communications

ARRL Tech Manual: Page 7-3

Ham Academy Lesson: 5D

Tech Class Questions valid thru 06-30-2018
Emergency Amateur Radio Club - www.earchi.org/education

T1A12

D. Allowing a person to conduct radio experiments and to communicate with other licensed hams around the world

ARRL Tech Manual: Page 7-2

Ham Academy Lesson: 5D

Tech Class Questions valid thru 06-30-2018
Emergency Amateur Radio Club - www.earchi.org/education

T1C10

C. As soon as your operator/station license grant appears in the FCC's license database

ARRL Tech Manual: Page 7-6

Ham Academy Lesson: 5D

Tech Class Questions valid thru 06-30-2018
Emergency Amateur Radio Club - www.earchi.org/education

T1C13

D. Technician, General, Amateur Extra

ARRL Tech Manual: Page 7-3

Ham Academy Lesson: 5D

Tech Class Questions valid thru 06-30-2018
Emergency Amateur Radio Club - www.earchi.org/education

T1C09

A. Two years

ARRL Tech Manual: Page 7-8

Ham Academy Lesson: 5D

Tech Class Questions valid thru 06-30-2018
Emergency Amateur Radio Club - www.earchi.org/education

T1C08

C. Ten years

ARRL Tech Manual: Page 7-8

Ham Academy Lesson: 5D

Tech Class Questions valid thru 06-30-2018
Emergency Amateur Radio Club - www.earchi.org/education

T1C07

B. Revocation of the station license or suspension of the operator license

ARRL Tech Manual: Page 7-9

Ham Academy Lesson: 5D

Tech Class Questions valid thru 06-30-2018
Emergency Amateur Radio Club - www.earchi.org/education

T1C11

A. No, transmitting is not allowed until the FCC license database shows that the license has been renewed

ARRL Tech Manual: Page 7-8

Ham Academy Lesson: 5D

Tech Class Questions valid thru 06-30-2018
Emergency Amateur Radio Club - www.earchi.org/education

T1B03

B. 52.525 MHz

ARRL Tech Manual: Page 7-12

Ham Academy Lesson: 5D

Tech Class Questions valid thru 06-30-2018
Emergency Amateur Radio Club - www.earchi.org/education

T1F13

B. At any time upon request by an FCC representative

ARRL Tech Manual: Page 7-9

Ham Academy Lesson: 5D

Tech Class Questions valid thru 06-30-2018
Emergency Amateur Radio Club - www.earchi.org/education

T1B05

C. 443.350 MHz

ARRL Tech Manual: Page 7-12

Ham Academy Lesson: 5D

Tech Class Questions valid thru 06-30-2018
Emergency Amateur Radio Club - www.earchi.org/education

T1B04

A. 2 meter band

ARRL Tech Manual: Page 7-12

Ham Academy Lesson: 5D

Tech Class Questions valid thru 06-30-2018
Emergency Amateur Radio Club - www.earchi.org/education

T1B07

D. 1.25 meter band

ARRL Tech Manual: Page 7-12

Ham Academy Lesson: 5D

Tech Class Questions valid thru 06-30-2018
Emergency Amateur Radio Club - www.earchi.org/education

T1B06

B. 1296 MHz

ARRL Tech Manual: Page 7-12

Ham Academy Lesson: 5D

Tech Class Questions valid thru 06-30-2018
Emergency Amateur Radio Club - www.earchi.org/education

T1B11

A. CW only

ARRL Tech Manual: Page 7-13

Ham Academy Lesson: 5D

Tech Class Questions valid thru 06-30-2018
Emergency Amateur Radio Club - www.earchi.org/education

T1B10

C. The 6 meter, 2 meter, and 1.25 meter bands

ARRL Tech Manual: Page 7-13

Ham Academy Lesson: 5D

Tech Class Questions valid thru 06-30-2018
Emergency Amateur Radio Club - www.earchi.org/education

T1B08

A. U.S. amateurs may find non-amateur stations in the bands, and must avoid interfering with them

ARRL Tech Manual: Page 7-15

Ham Academy Lesson: 5E

Tech Class Questions valid thru 06-30-2018
Emergency Amateur Radio Club - www.earchi.org/education

T1B13

B. Data

ARRL Tech Manual: Page 7-13

Ham Academy Lesson: 5D

Tech Class Questions valid thru 06-30-2018
Emergency Amateur Radio Club - www.earchi.org/education

T1A08

B. Frequency Coordinator

ARRL Tech Manual: Page 7-16

Ham Academy Lesson: 5E

Tech Class Questions valid thru 06-30-2018
Emergency Amateur Radio Club - www.earchi.org/education

T2A11

D. While not exceeding the maximum power permitted on a given band, use the minimum power necessary to carry out the desired communication

ARRL Tech Manual: Page 7-15

Ham Academy Lesson: 5E

Tech Class Questions valid thru 06-30-2018
Emergency Amateur Radio Club - www.earchi.org/education

T2A10

A. A voluntary guideline for using different modes or activities within an amateur band

ARRL Tech Manual: Page 7-16

Ham Academy Lesson: 5E

Tech Class Questions valid thru 06-30-2018
Emergency Amateur Radio Club - www.earchi.org/education

T1A14

A. Stop operating or take steps to eliminate the harmful interference

ARRL Tech Manual: Page 7-16

Ham Academy Lesson: 5E

Tech Class Questions valid thru 06-30-2018
Emergency Amateur Radio Club - www.earchi.org/education

T1B01

B. A United Nations agency for information and communication technology issues

ARRL Tech Manual: Page 7-17

Ham Academy Lesson: 5E

Tech Class Questions valid thru 06-30-2018
Emergency Amateur Radio Club - www.earchi.org/education

T1A09

C. Amateur operators in a local or regional area whose stations are eligible to be auxiliary or repeater stations

ARRL Tech Manual: Page 7-17

Ham Academy Lesson: 5E

Tech Class Questions valid thru 06-30-2018
Emergency Amateur Radio Club - www.earchi.org/education

T1B12

B. Amateur frequency assignments can vary among the three ITU regions

ARRL Tech Manual: Page 7-18

Ham Academy Lesson: 5E

Tech Class Questions valid thru 06-30-2018
Emergency Amateur Radio Club - www.earchi.org/education

T1B02

A. Some U. S. Territories are located in ITU regions other than region 2

ARRL Tech Manual: Page 7-18

Ham Academy Lesson: 5E

Tech Class Questions valid thru 06-30-2018
Emergency Amateur Radio Club - www.earchi.org/education

T1C06

D. From any vessel or craft located in international waters and documented or registered in the United States

ARRL Tech Manual: Page 7-18

Ham Academy Lesson: 5E

Tech Class Questions valid thru 06-30-2018
Emergency Amateur Radio Club - www.earchi.org/education

T1C04

A. When the foreign country authorizes it

ARRL Tech Manual: Page 7-18

Ham Academy Lesson: 5E

Tech Class Questions valid thru 06-30-2018
Emergency Amateur Radio Club - www.earchi.org/education

T1D01

A. Any country whose administration has notified the ITU that it objects to such communications

ARRL Tech Manual: Page 7-19

Ham Academy Lesson: 5E

Tech Class Questions valid thru 06-30-2018
Emergency Amateur Radio Club - www.earchi.org/education

T1C03

A. Communications incidental to the purposes of the amateur service and remarks of a personal character

ARRL Tech Manual: Page 7-19

Ham Academy Lesson: 5E

Tech Class Questions valid thru 06-30-2018
Emergency Amateur Radio Club - www.earchi.org/education

T1C01

C. Special event

ARRL Tech Manual: Page 7-22

Ham Academy Lesson: 5E

Tech Class Questions valid thru 06-30-2018
Emergency Amateur Radio Club - www.earchi.org/education

T1C02

B. W3ABC

ARRL Tech Manual: Page 7-20

Ham Academy Lesson: 5E

Tech Class Questions valid thru 06-30-2018
Emergency Amateur Radio Club - www.earchi.org/education

T1C12

D. Any licensed amateur

ARRL Tech Manual: Page 7-22

Ham Academy Lesson: 5E

Tech Class Questions valid thru 06-30-2018
Emergency Amateur Radio Club - www.earchi.org/education

T1C05

A. K1XXX

ARRL Tech Manual: Page 7-22

Ham Academy Lesson: 5E

Tech Class Questions valid thru 06-30-2018
Emergency Amateur Radio Club - www.earchi.org/education

T1F12

B. At least 4

ARRL Tech Manual: Page 7-22

Ham Academy Lesson: 5E

Tech Class Questions valid thru 06-30-2018
Emergency Amateur Radio Club - www.earchi.org/education

T1C14

D. Only the person named as trustee on the club station license grant

ARRL Tech Manual: Page 7-22

Ham Academy Lesson: 5E

Tech Class Questions valid thru 06-30-2018
Emergency Amateur Radio Club - www.earchi.org/education

Empty box for notes or answers.

Empty box for notes or answers.

Empty box for notes or answers.

Empty box for notes or answers.

Empty box for notes or answers.

Empty box for notes or answers.

Figure T-1

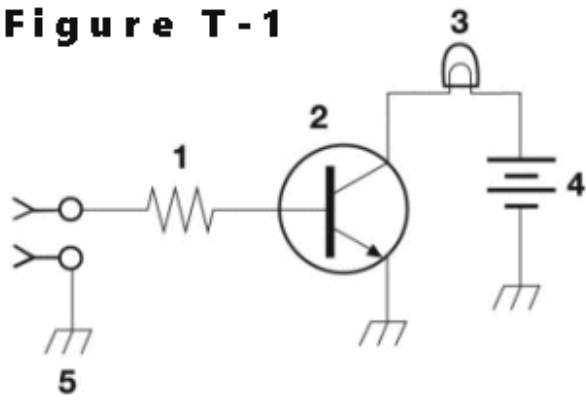


Figure T-2

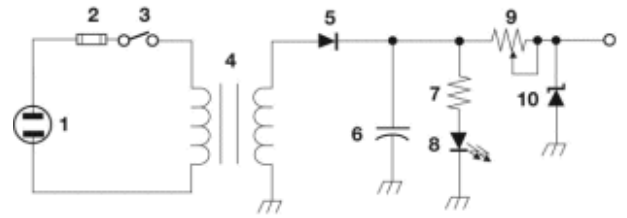


Figure T-3

